



BY EUROPACE

2-IN-1 ROBOTIC VACUUM CLEANER ERV 6088U

Instruction Manual

Thank you for purchasing EuropAce Robotic Vacuum Cleaner.
For safety purpose, please read this operating instruction manual
carefully before using and keep it for future reference.

AC Adaptor Model No.: EAD 3060RV



Celebrate Fine Living!

Contents

- Safety Instructions**-----1
- Product Features**-----2
 - User Friendly Design-----2
 - Gyro Navigation-----2
- Product Components**-----3
 - Main Body and Accessories-----3
 - Main Body Diagram-----4
 - Rolling Brush Kit-----5
 - Charging Docking / Remote Control-----6
- Product Operation**-----7
 - Button on Robot Panel-----7
 - Battery Charging-----8
 - Starting Up/ Standby/ Sleep-----9
 - Schedule steps-----9
 - Cleaning Modes-----10
 - Main Brush and Dust Bin Installation-----11
- Product Maintenance**-----12
 - Cleaning Side Brush-----12
 - Cleaning Dust Bin and Filters-----12
 - Cleaning the Dust Bin in 2-in-one Water Tank-----13
 - Cleaning Sensors and Wheels-----14
 - Cleaning Charging Poles-----14
 - Cleaning Rolling Brush Kit-----14
- Product Specifications**-----15
- Battery Removal**-----15
- Troubleshooting**-----16

Safety Instruction

Before using this product, please read the safety instructions and follow all regular safety precautions.

- Read this instruction manual thoroughly and carefully before using this product.
- Keep this user manual in your sight
- Any operation not following the instruction in this manual may lead to harm to human or this product.

Safety Instructions

1. Only authorized technicians can disassemble the product. Users are not allowed to disassemble or repair the product.
2. Only use the original battery and power adapter of the product for charging. Using an unmatched adapter may cause electric shock, fire or product damage.
3. Do not touch the power cord, plug or adaptor with wet hands.
4. Do not make clothes or part of body drawn into the product wheels.
5. Make sure this product is not close to cigarette ends, lighters matches or any flammables.
6. If the product needs cleaning, clean it after it's fully charged.
7. Do not over-bend or pressure the flexible cord with heavy or sharp objects.
8. Only use the product indoors, do not use it outdoors.
9. Do not sit it on top of this product or attach an object on the top of it. Beware of children or pets while the product is in operation mode.
10. Do not use this product in wet or moist environment (any environment with liquid) e.g. bathroom or laundry.
11. Clear the floor of all objects that may get caught in the product, such as all the fragile objects, cords, clothing, papers, loose cables, as well as make sure to lift curtains and drapes off the floor to avoid any potential accidents.
12. Do not place this product where it's easy to drop off (table, chairs, etc.)
13. Turn off the power switch during product transportation or when you don't need to use this product for a long time.
14. Before charging, check whether adaptor and outlet whether these are properly connected.
15. To avoid tripping, all the people in the house should be noticed when this product is on.
16. When dust bin is full, empty it before use.
17. Use this product in temperature from 0°C to 40°C.
18. Do not use this product in high-temperature environment or under baking sunlight for a long time.
19. The battery must be removed from the product before it's scrapped.
20. The battery should be disposed of properly for safety sake.

Warning:


When the appliance is to be used by a child, the child must be of 8 years old and above. For person with reduced physical, sensory or mental capabilities or lack of experience and knowledge, proper supervision or instruction should be given concerning use of the appliance in a safe way to help them understand the hazards involved. Children should not play with appliance. Cleaning and user maintenance should not be made by children without supervision.

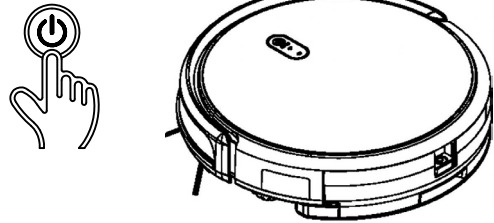
Product Feature

BL501 is an advanced robot vacuum cleaner. It is with double side brush, rolling main brush and strong vacuum power. It's intelligent programme enable it clean different kind of floors efficiently.



User Friendly Design

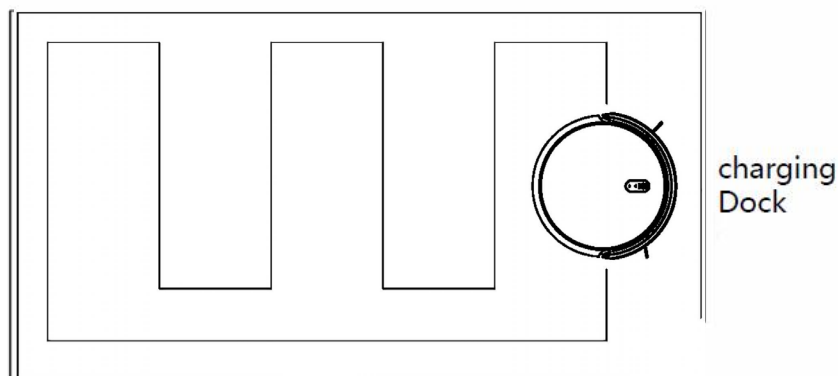
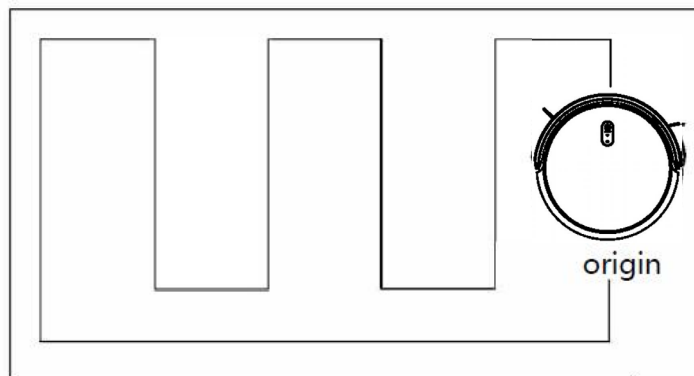
Operation is simple and easy, just touch the

“  ” on robot to start cleaning.



Gyro Navigation:

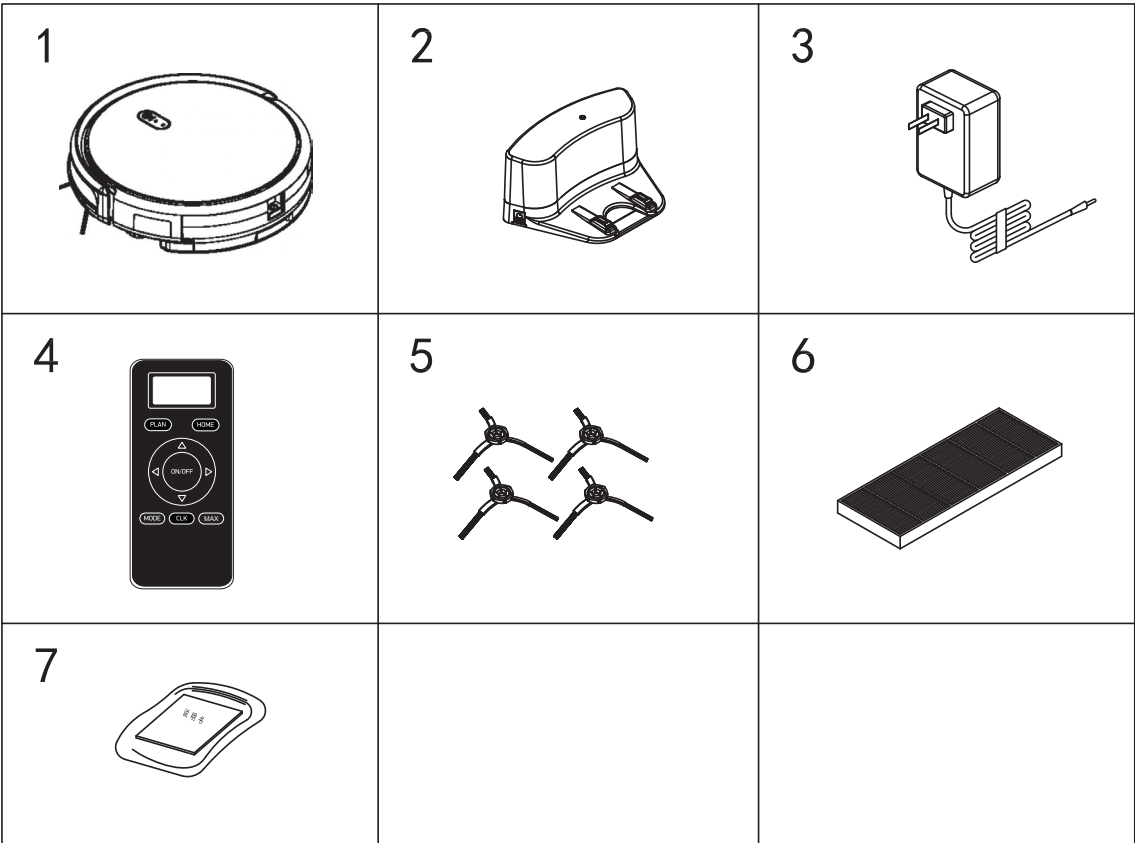
1. Pls put your robot on the flat ground before using.
2. Press the power switch on the right side. then press the “  ” on robot panel
3. After 3 times ring, then press the “  ” or "ON/OFF" on robot will start work.
Robot will go edge mode first to adjust it's cleaning angle.
4. Robot will go back to charge after finish the cleaning, Robot will go back to the beginning place if you don't set the charging dock



Product Components

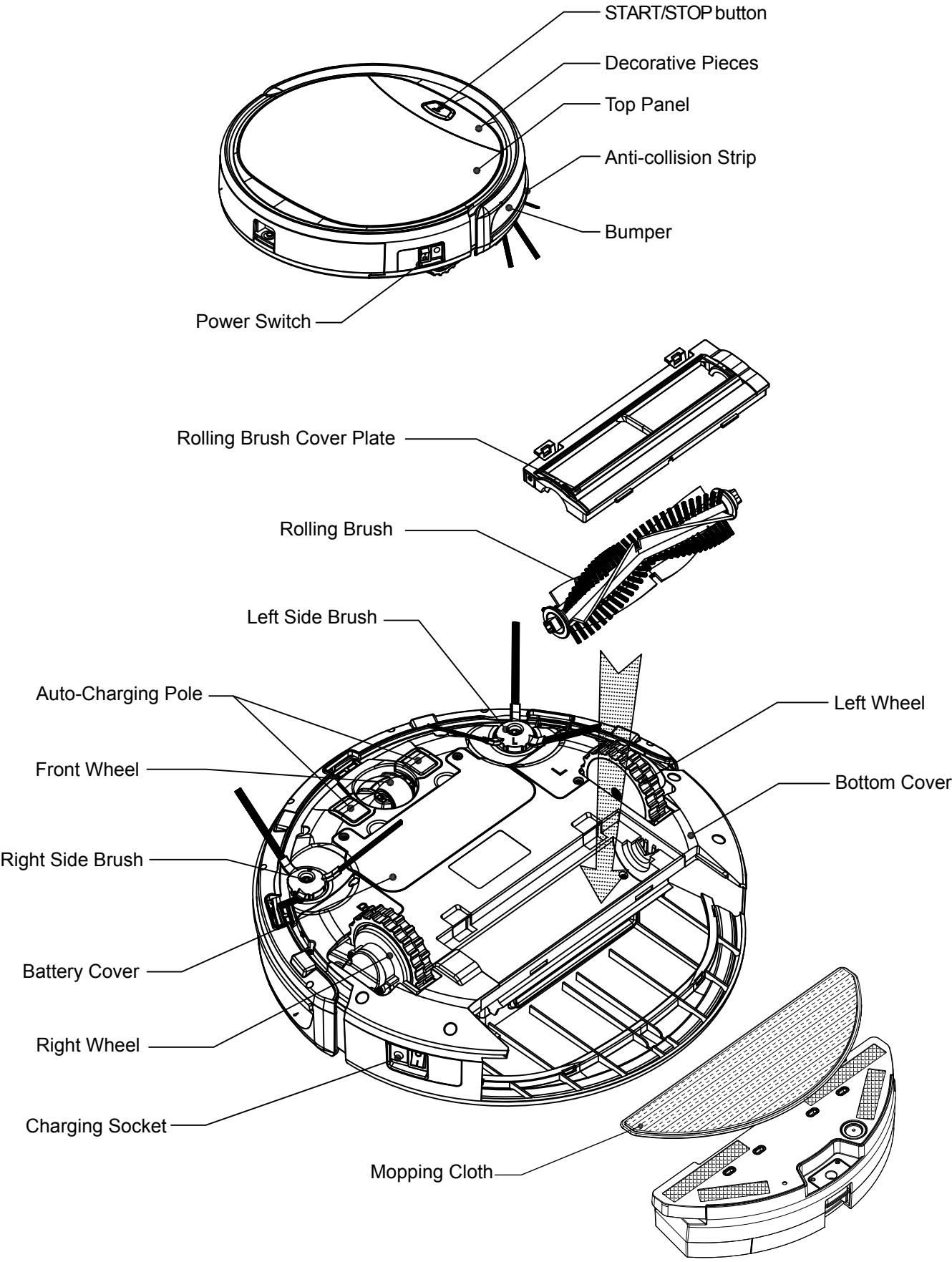
Main Body and Accessories

Item	Description	Quantity
1	Main Body	1
2	Charging Docking	1
3	Power Adapter (EAD 3060RV)	1
4	Remote Control (no battery inside)	1
5	Side Brush	4
6	HEPA Filter (1in dust bin, another 1 for extra)	2
7	User Manual	1



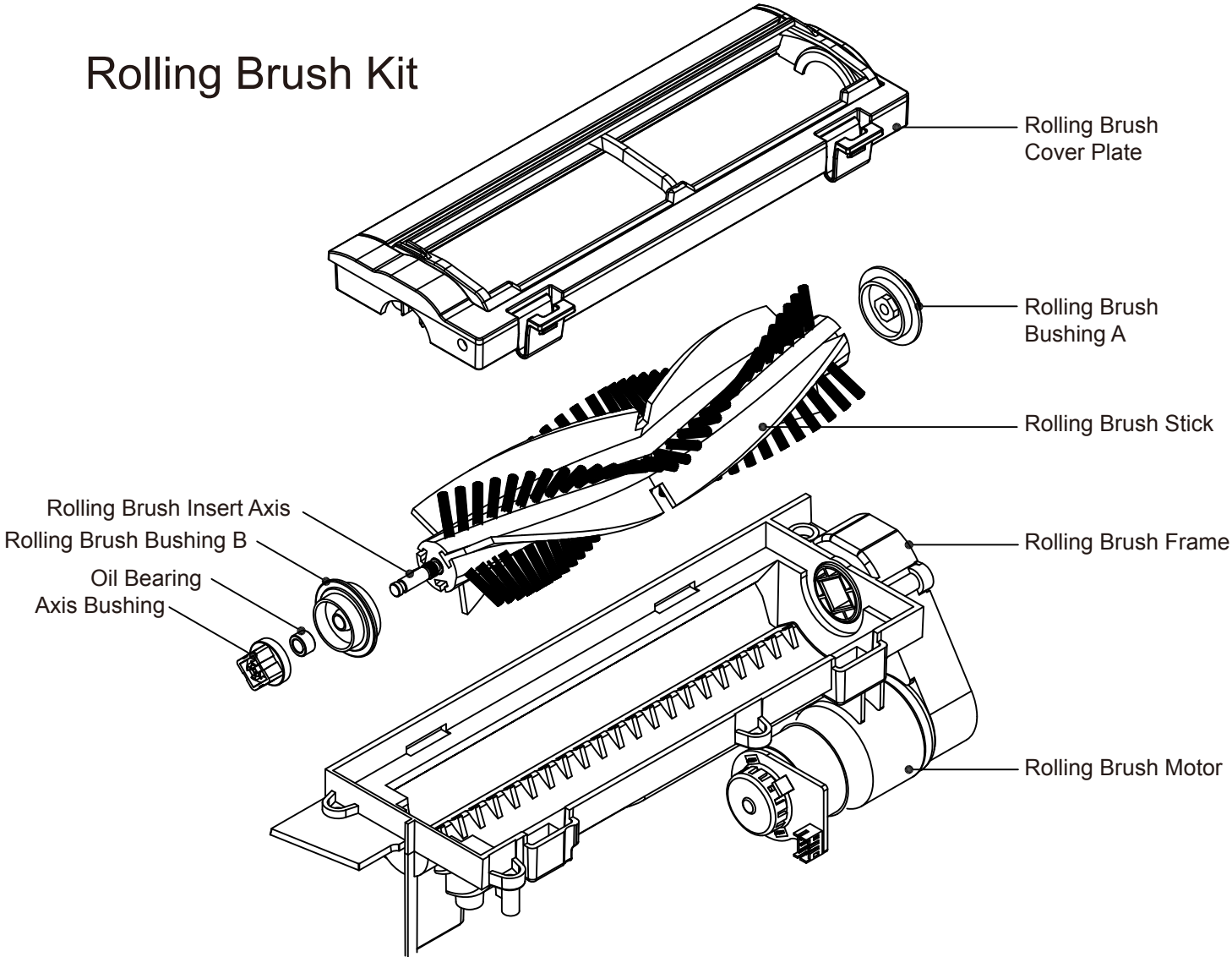
Product Components

Main Body Diagram



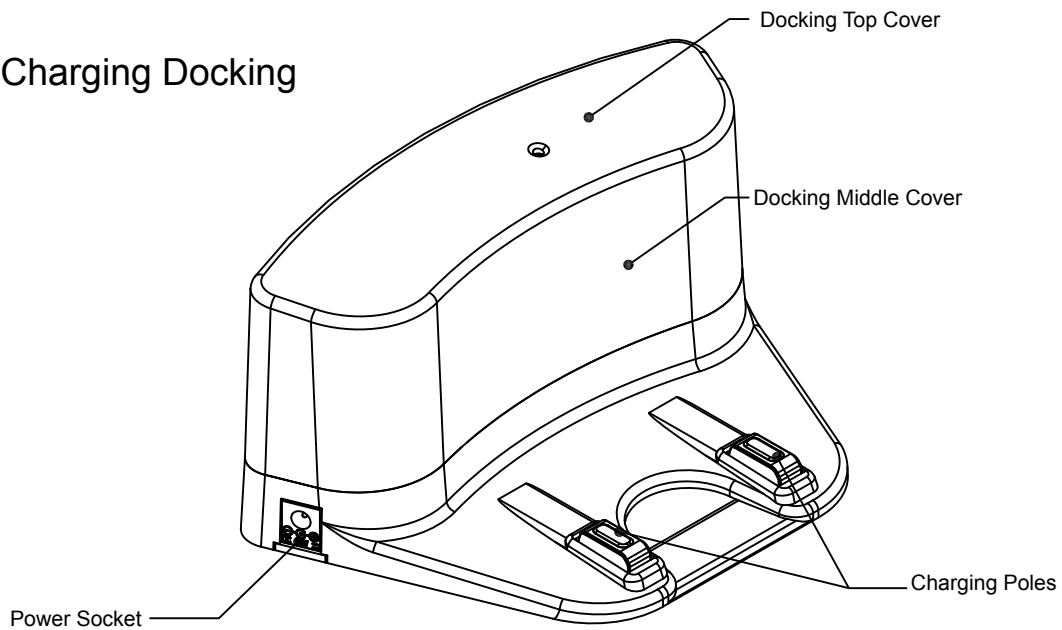
Product Components

Rolling Brush Kit



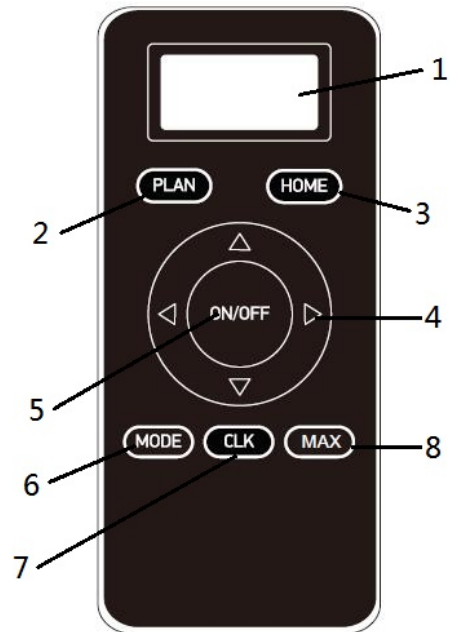
Product Components

Charging Docking



Remote Control

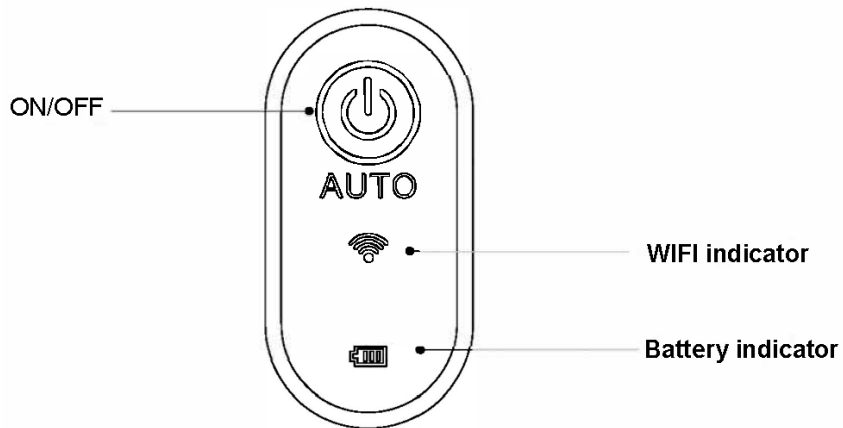
1. Display Screen
2. Schedule Setting
3. Auto Charging
4. Direction Button
(Only Effective in Standby Mode)
5. ON/OFF
6. Mode Cleaning
(Only Effective in Standby Mode)
7. Clock Setting
8. Max Cleaning
(Only Effective in Standby Mode)



Note:

- A, Please install AAA type batteries into the remote control before use it.
- B, Remove the batteries if the remote control will be left unused for a long period.
- C, If you use the remote control near the charging docking, the robot may not recognize the command and may not work.


Product Operation





Button on Robot Panel

Under sleep mode, touch  button to activate the robot.

Under standby mode, touch  button to start AUTO cleaning.

Under working mode, touch  to standby.


Under standby mode, Hold and touch  for 3s to reset the wifi

WIFI indicator 

WIFI indicator turn white and flash slowly, means robot start the wifi setting

WIFI indicator lighting white, means Wifi setting ok.

WIFI indicator flash white faster, means wifi setting fail

Battery Indicator 

Indicator turn red when battery run out of power

Indicator flash alternately in red and blue, means battery in charging.

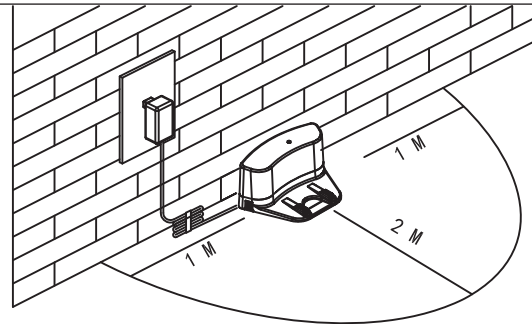
Indicator turn blue when battery full of charge

Product Operation

Battery Charging

1, Charging Station Placement

Place charging station against the wall, and remove obstacles about 1m at two sides and 2m in front of the station as show in the right figure.



Note: if robot is powered off, then switch on the robot first before charging.

2, Charge the robot in either way as shown below:

a, plug one end of the adapter into the robot and the other end into the power socket as shown in Fig a.

b, Press “HOME” button on remote control to operate the robot looking for the charging docking automatically as shown in Fig b.

(Please use only the recommended AC Adaptor EAD 3060RV)

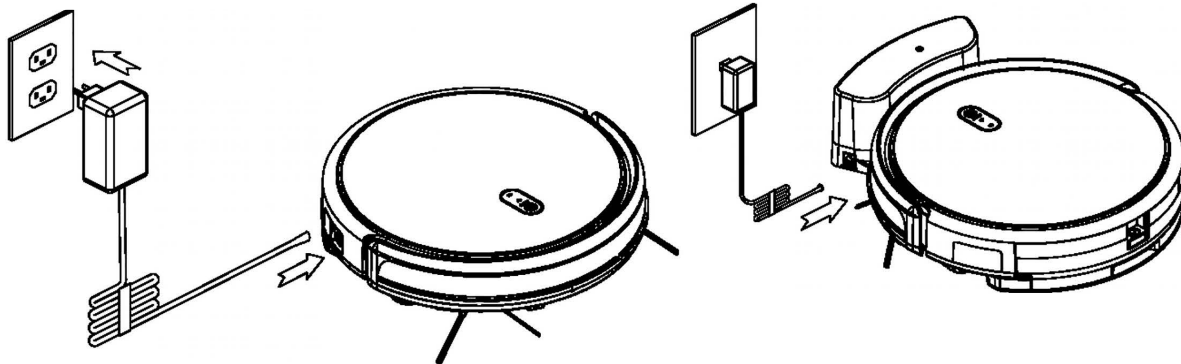



Fig a

Fig b

Note:

a. When robot is charging, the  light will be in pink color breathing.

b. When charging is completed, the  light will be in solid red color.

c. While robot is in standby mode, operating mode, or with low battery capacity, the  light will be in solid red color.

d. While robot is in standby mode for too long time or the battery is too low, it will enters sleep mode.

e. If robot is with low battery capacity while operating, it will search docking charging station for charge automatically.

In Order to Extend Battery's Life

a, Please charge the robot up to 12 hours in first charging.

b, Charge the robot as soon as possible when battery capacity is low

c, The robot will return to the charging docking automatically when accomplish cleaning or battery capacity is low.

d, When you will not use the robot for some time, please fully charge the battery first, then switch off the robot and keep it in a cool but dry place.


e, If the robot has been put aside over 3 months, please charge the robot for 12 hours first before use it for cleaning.


Product Operation

Starting Up/ Standby/ Sleeping

1, Starting Up

A, Switch On the robot by turn on the switch button at right side of the robot

B, In Standby status, press “” on robot or “ON/OFF” on remote control to start up the robot.

Note: If the robot is in Sleeping status, press “” on robot or “ON/OFF” on remote control to wake up the robot first, then press again to make robot start up cleaning.

2, Standby

Standby means the robot is power on, waiting for users operation. Could be achieved by:

A, when robot in working status, press “” on robot or “ON/OFF” on remote control to enter standby status.

3, Sleep Mode

When robot is in Sleep Mode, press  or ON/OFF on remote to activate robot.

Set the robot enter Sleep Mode by below 3 methods could maximize battery's life:

a. While robot is under standby mode, hold down  for more than 3 seconds, robot will enters Sleep Mode.

b. While robot is under standby mode, robot will automatically enter Sleep Mode if no operation in 1 minute.

c. While robot is under standby mode, robot will automatically enter Sleep Mode if the battery is too low.

Schedule

You can schedule the robot to start cleaning automatically at a same time for every day.

Scheduling Steps

A. Short press the “PLAN” button on remote to check if there is already schedule seted.

(1) If robot already have schedule, the robot will buzz once, the “START” button lights on in pink color for 2 seconds.

(2) If robot is without schedule, the robot will buzz twice, the “START” button lights in pink color twinkles for 2 seconds.

B. Hold down the “PLAN” button to cancel schedule or set schedule:

(1) If robot already have schedule, it will cancel the schedule.


(2) If robot is without schedule, it will set the remote current time to be scheduled cleaning time for every day. The robot will gives out a short buzz, and “START” button lights on in pink color for 2 seconds.

Product Operation

Cleaning Modes

Multiple Cleaning Modes to satisfy your different cleaning requirements

1. AUTO cleaning

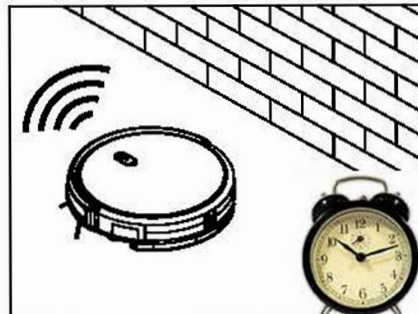
Press  button under standby mode, or press ON button on remote will start AUTO

2. MAX cleaning

Press MAX on remote will start MAX cleaning mode. It will increase suction power for deeper cleaning.

3. SCHEDULING cleaning

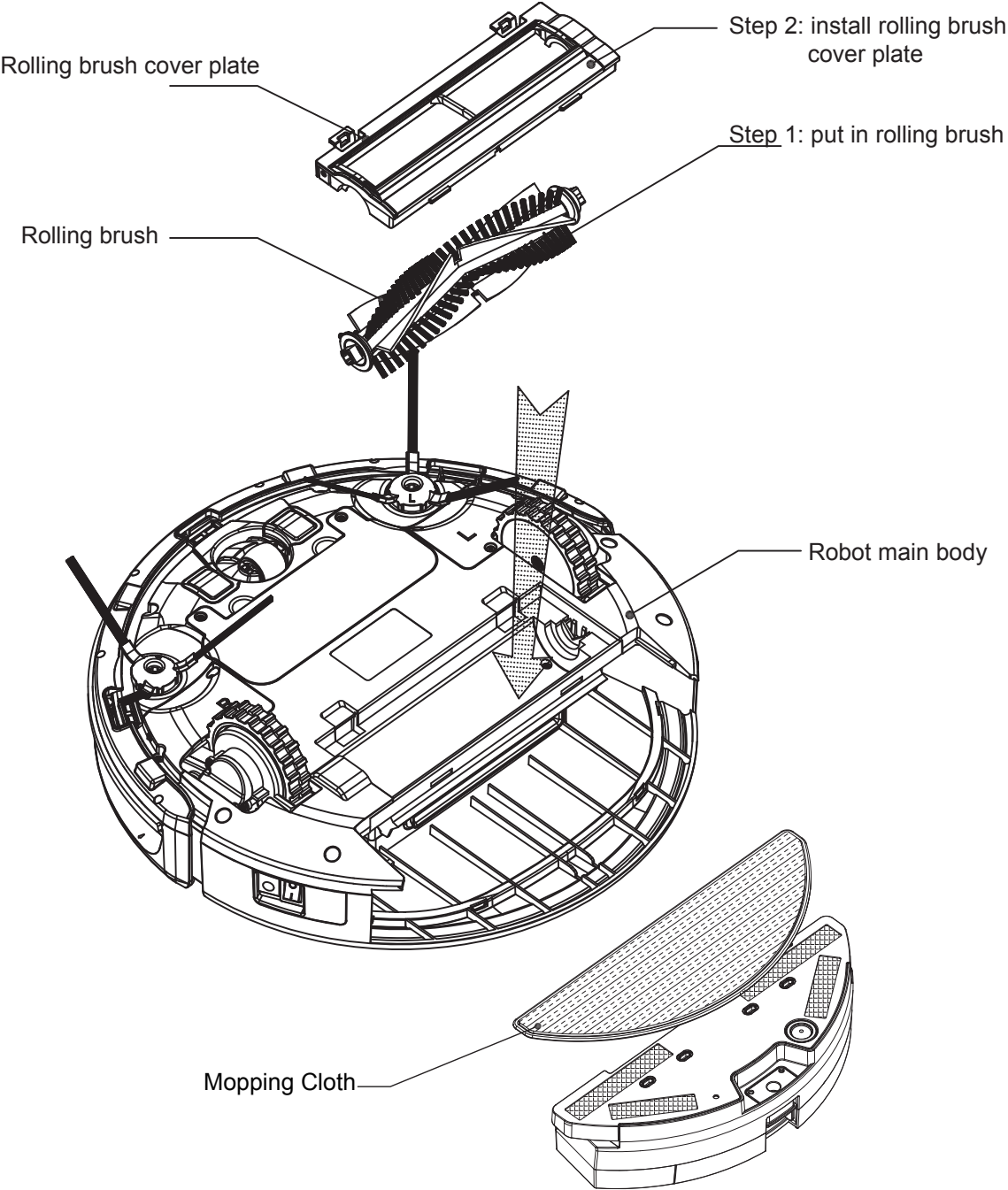
Once you successfully set scheduling cleaning time.
It will automatically starts AUTO cleaning at the time scheduled.



Product Operation

Main Brush and Dust Bin Installation

Rolling brush kit, dust bin kit should be well installed related position (refer to below diagram)



Product Maintenance

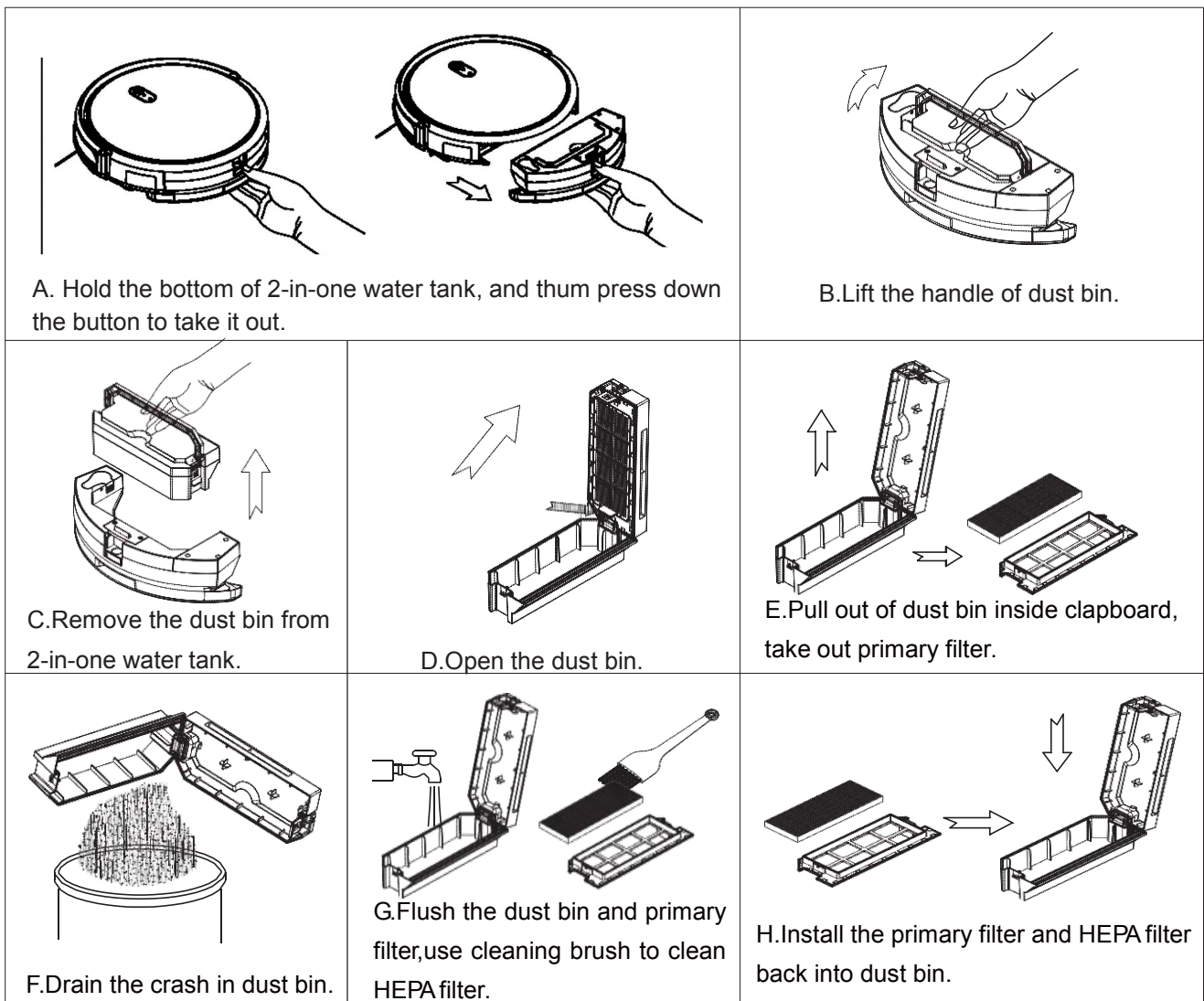
Cleaning Side Brush

- 1, check if side brush is broken or something stacked
- 2, use mops to clean the side brush
- 3, if side brush is curly or deform, put them inside hot water for 5 second
- 4, if side brush cannot use any more, please change on time

Cleaning Dust Bin and Filters

Empty and clean dust bin every time when you use it, cleaning steps as below:

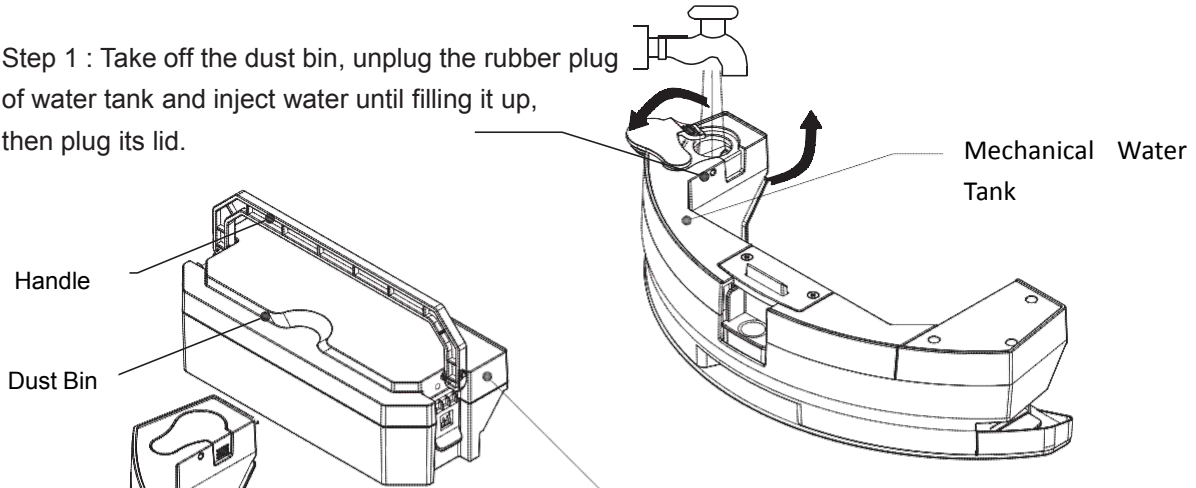
- Note:
- a, wash the filters every 15-30 days to maximize its use life
 - b, before install the filters make sure they are dry
 - c, primary filter and HEPA filter are changeable accessories
 - d, please do not put the filters in the sun exposure



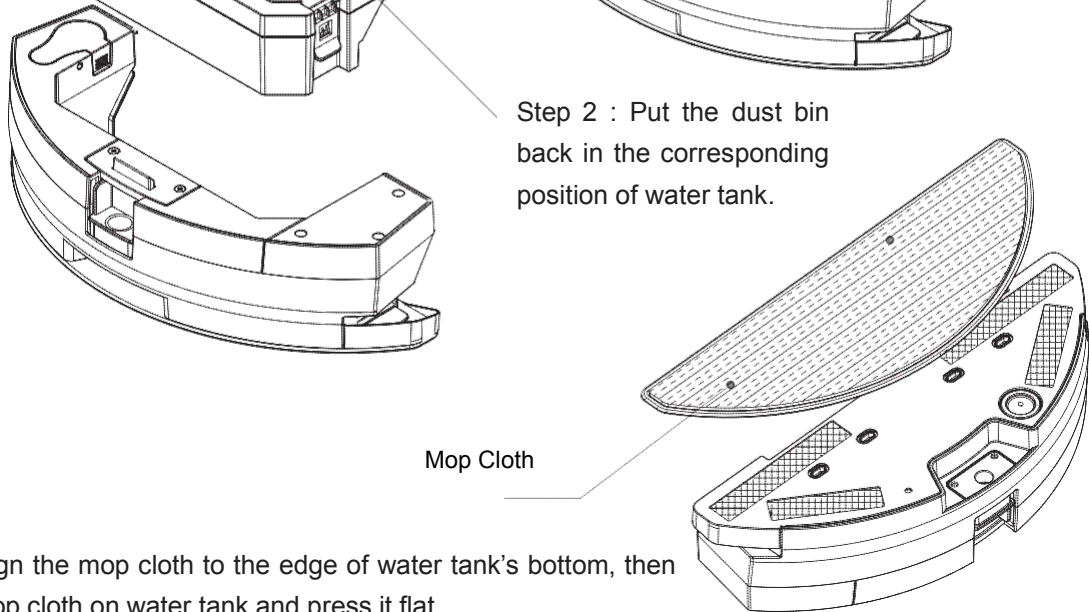
Product Maintenance

Clean the Dust Bin in 2-in-one Water Tank

Step 1 : Take off the dust bin, unplug the rubber plug of water tank and inject water until filling it up, then plug its lid.

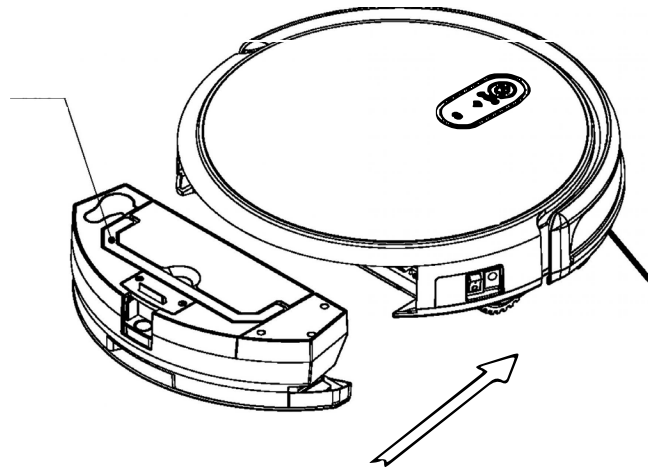


Step 2 : Put the dust bin back in the corresponding position of water tank.



Step 3 : Align the mop cloth to the edge of water tank's bottom, then stick the mop cloth on water tank and press it flat.

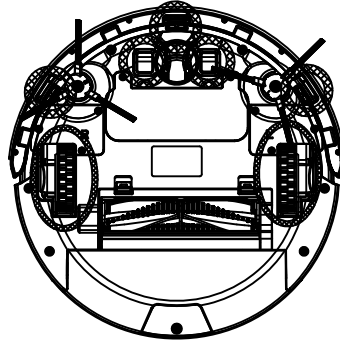
Step 4 : Put the 2-in-one water tank into the corresponding position of the machine. You can replace the original Dust Bin for your needs.



Product Maintenance

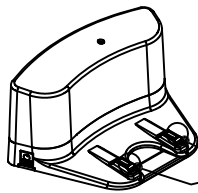
Cleaning Sensors and Wheels

Use cleaning tools or soft micro fiber to wipe the sensors and wheels as below:



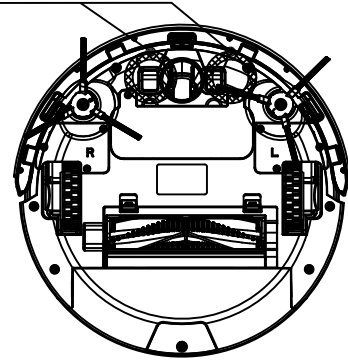
Cleaning Charging Poles

Use cleaning tools or soft micro fiber to wipe charging poles of charging docking and robot as below:



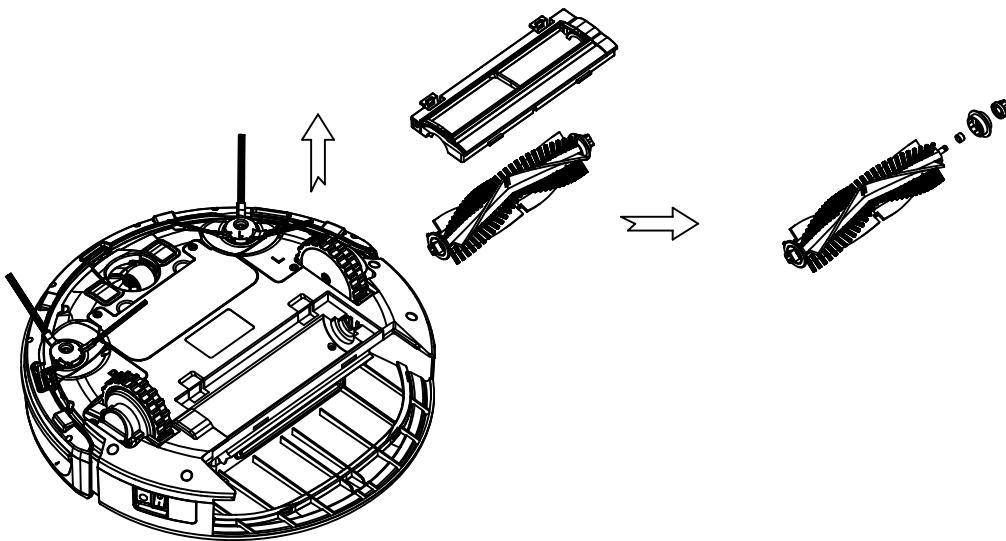
Use dry micro fiber to wipe poles when connection not well.

Use dry micro fiber to wipe poles when connection not well.



Cleaning Rolling Brush Kit

Remove the rolling brush kit from robot, take out of the rolling brush stick, cleaning the brush rolling brush stick or cover clapboard with cleaning tools or soft micro fibers.(rolling brush stick is washable)



Product Specifications

Product Specification

Classification	Item	Details
Mechanical Specifications	Diameter	335mm
	Height	79mm
	Weight	2.3kg
Electrical Specifications	Voltage	14.4V
	Battery	2200 mAh Li-ion
Function Specifications	E-Water Tank&Dust Bin Capacity	Water Tank 220ML/ Dustbin 230ML
	Recharge System	Manual charge / auto recharge
	Cleaning Mode	Auto/ Max/ Mode/ Plan
	Charging Time	4-6 Hours
	Cleaning Time	100 minutes
Main Body Button Type		Button

(Please use only the recommended AC Adaptor EAD 3060RV)

Battery Removal

Battery Removal

1. Remove the screws on battery cover with a screw driver.
2. Remove the battery cover.
3. Grasp the insulating tape at two sides of the battery and lift the battery.
4. Unplug the wire connector that links the battery and robot.
5. Put new battery inside the battery house, make sure the side printed words upside
6. Connect the cable of battery and robot
7. Tidy the cables and connection
8. Put the battery inside the battery house
9. Lock the battery cover screw

Note: Only use the original battery of the product, otherwise it may cause product damage.