

IRIS OHYAMA

Indoor·For Home Use

Air purifier

PMMS-DC200

User manual



Contents

Preparation before use

Safety instructions	2
Usage precautions.....	4
Placement method.....	4
Parts	5
Preparations before use	8
Filter screen.....	9

Operation instructions

Operation instructions.....	9
Indoor air quality monitor.....	11
Cleaning and maintenance.....	12

Others

Troubleshooting.....	14
Specifications	15
Warranty and after-sales services	15
Consumables	15
Warranty card	Back cover

Attach Warranty Card (Back cover)

Thank you for your purchase.

- Please read this manual carefully before use to ensure proper use.
- Please read all "Safety Precautions" carefully prior to use.
- Please obtain a warranty card from the dealer and confirm the date of purchase and name of dealer.
- Please keep this manual properly for future reference.

Safety instructions

Please read the "Safety instructions" carefully and strictly follow these when using the product, so as to avoid injury to people and unnecessary property damage.

The Safety instructions are divided into two parts: "Warning" and "Attention", both of which provide important information on safe use and need to be strictly adhered to.

Meanings of signs



Information to be considered.



Actions to be avoided.



Actions to be taken.



Warning

Faulty operations may lead to death or serious injury.

Correctly use the power plug and power cord



Must be performed

- **Please periodically clean the dust from the power plug**
The accumulation of dust may cause fire or electric shocks due to insulation faults.
- **Insert the power plug into the socket thoroughly**
Otherwise it may cause fire or electric shocks due to short circuits.



Pull off the plug

- **Be sure to unplug the power plug from the socket before repairing, checking or moving**
Failure to do so may cause electric shocks or injury.



No wet hand

- **Do not plug or unplug the power plug with wet hands**
Doing so may cause electric shocks or injury.



Prohibited

- **Do not use a damaged power cord or power plug, or a loose socket**
Doing so may cause fire or electric shocks due to short circuits.
- **Do not power on the product when the power cord is bundled**
Doing so may cause empyrosis or fire due to overheating. Be sure to extend the power cord for use.
- **Do not pull the power cord while moving and storing**
Doing so may cause fire or electric shocks.
- **Do not damage the power cord**
Do not damage or press the power cord, forcibly bend or stretch the power cord, or place heavy objects on the power cord. Doing so may cause fire or electric shocks due to the damaged power cord.
- **Do not use a power source other than 220V~**
Doing so may cause fire or electric shocks.



Must be performed

- **In case of any abnormality, stop using the product immediately, turn off the power, and unplug the power plug from the power socket**
Failure to do so may lead to smoking, fire, or electric shocks.

[Examples of abnormalities]

- **Scorching smell or abnormal noise during operation**
 - **Abnormal heating of the power plug and power cord**
 - **The power source is unstable when the power cord is moved**
 - **The product frequently stops running during operation**
 - **User feels numb or suffers an electric shock while touching the product**
- In case of any of the above abnormalities, please stop using the product and contact the store where the product was purchased from or the Iris Customer Service Centre.



No disassembling

- **Do not disassemble, repair or modify the product by yourself**
Doing so may cause fire, electric shocks or injury. Non-professionals are strictly prohibited from repairing the product to avoid danger. For repairs, please consult with the store where the product was purchased from or the Iris Customer Service Centre.



Must be performed

- **This appliance is not intended for use by persons (including children) with reduced physical, sensory or mental capabilities, or lack of experience and knowledge, unless they have been given supervision or instruction concerning use of the appliance by a person responsible for their safety**
- **Children should be supervised to ensure that they do not play with the appliance**
- **If the supply cord is damaged, it must be replaced by the manufacturer, its service agent or similarly qualified persons in order to avoid a hazard**



No contact with water

- **Do not use this product in damp environment such as near water sources or bathrooms**
- **Do not wet the product or immerse it in water**
Doing so may cause fire or electric shocks.



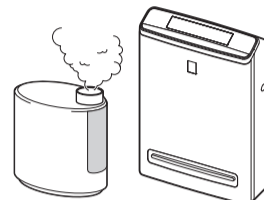
Prohibited

- Do not spray liquids onto this product, such as insecticides, hair care products, or lubricating oil, etc.
- Do not use this product near ignitable or flammable objects, such as kerosene, gasoline, and thinners
- Do not use this product in or near places with lampblack
Doing so may cause fire.



Prohibited

- Do not use this product in places within the spray range of water vapour, such as a humidifier
Doing so may shorten the service life of the filter screen and cause electric shocks or failure.



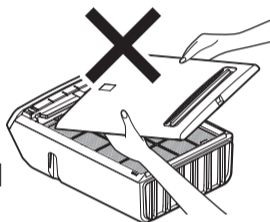
Attention

Faulty operation may lead to slight injury or damage to the product.



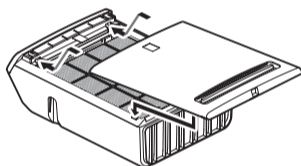
Must be performed

- Be sure to hold the handle when picking up the product
Failure to do so may cause a fall of the product, which results in personal injury or damage.



- Be sure to install the front panel firmly

Failure to do so may cause a fall of the product due to the losing front panel, which results in personal injury or damage.



Prohibited

- Do not lean on the product
- Do not leave the product within the reach of children
- Keep the product away from children
Failure to do so may cause injury when the product is toppled.
- The product should not be used by children, persons with physical, cognitive and intellectual deficiencies, a lack of experience or a lack of common sense
- Do not use the product outdoors
Doing so may cause short circuits or fire due to failure.



Prohibited

- Do not run this product when using fume-type insecticides that may emit smoke

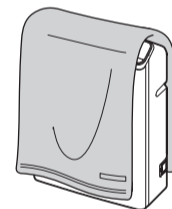
The pharmaceutical ingredients can accumulate inside the machine and re-charge when running the product again, causing damage to health. After using an insecticide, please only run this product after fully ventilating.



Prohibited

- Do not block the air inlet or outlet
Doing so may cause deformation, failure or fire due to overheating of the product.
- Do not insert fingers or metal objects into the air inlet or outlet

Doing so may cause electric shocks or failure.



Pull off the plug

- To unplug the power plug, hold the plug part and do not pull on the power cord

Failure to do so may cause fire or electric shocks due to a damaged power cord.

- Be sure to unplug the power plug when it is out of using for a long period

Failure to do so may cause electric shocks or fire due to insulation aging of the power cord.



No fire

- Do not use this product near fire sources and heating equipment
Doing so may cause fire.
- Be sure to keep the product away from flammable materials, burning cigarettes or incense sticks, etc.
Failure to do so may cause fire.



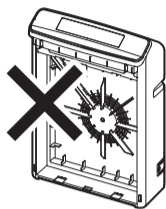
Must be performed

- Be sure to carry out ventilation when using with a burning appliance
Failure to do so may cause carbon monoxide poisoning.
※ This product is not able to remove harmful gases such as carbon monoxide.

Usage precautions

- **Do not operate this product with the filter screen removed.**

Doing so may cause failure to achieve the purification effect.



- **Do not use damaged or broken filter screens.**

Doing so may cause failure or reduction in performance.

- **Be sure to use and correctly install dedicated filter screens.**

- **Do not use the product as a ventilator.**

- **Do not use the product in smoky places.**

Doing so may shorten the service life of the product or cause failure.

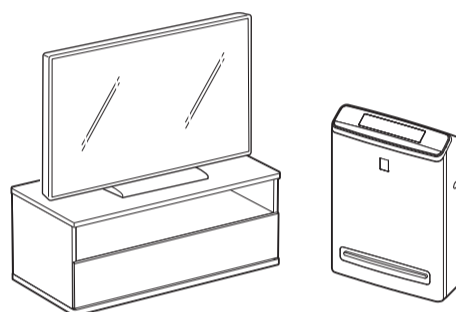
- **Do not use the product near TVs, radios, etc.**

Doing so may generate interference.

- **A beep will sound when pressing the button.**

When the product stops running, long beep sound, and a beep sounds at other times.

A beep also sounds when the display switching button is pressed in the stop state.



Waste Treatment

- Please dispose the products and packagings in accordance with China's environmental protection regulations.

Placement method

Keep the product a distance from the surrounding items

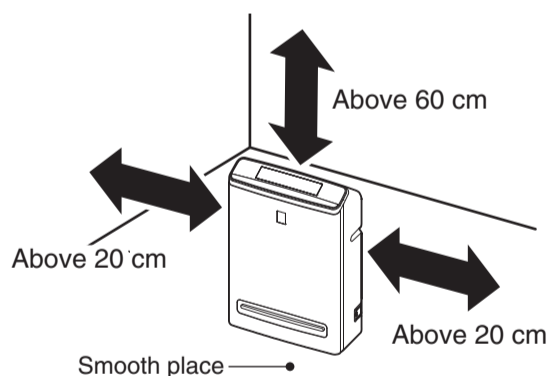
- Place the product in a spot with good air circulation, and do not place it near cooling or heating equipment.

Keep the product on a flat and stable surface

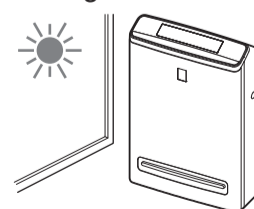
- Do not use it on unstable surfaces.
- Do not use it while it is at an angle. Doing so may cause injury or failure due to falling.

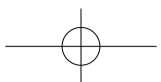
Attention

- It is recommended that the product should be used at a room temperature ranging from 0 to 35°C .
- Do not use it in places prone to condensation or that experience major fluxes in temperature.
- Do not aim the air outlet at ornamental plants, etc., so as to avoid drying out the plants.



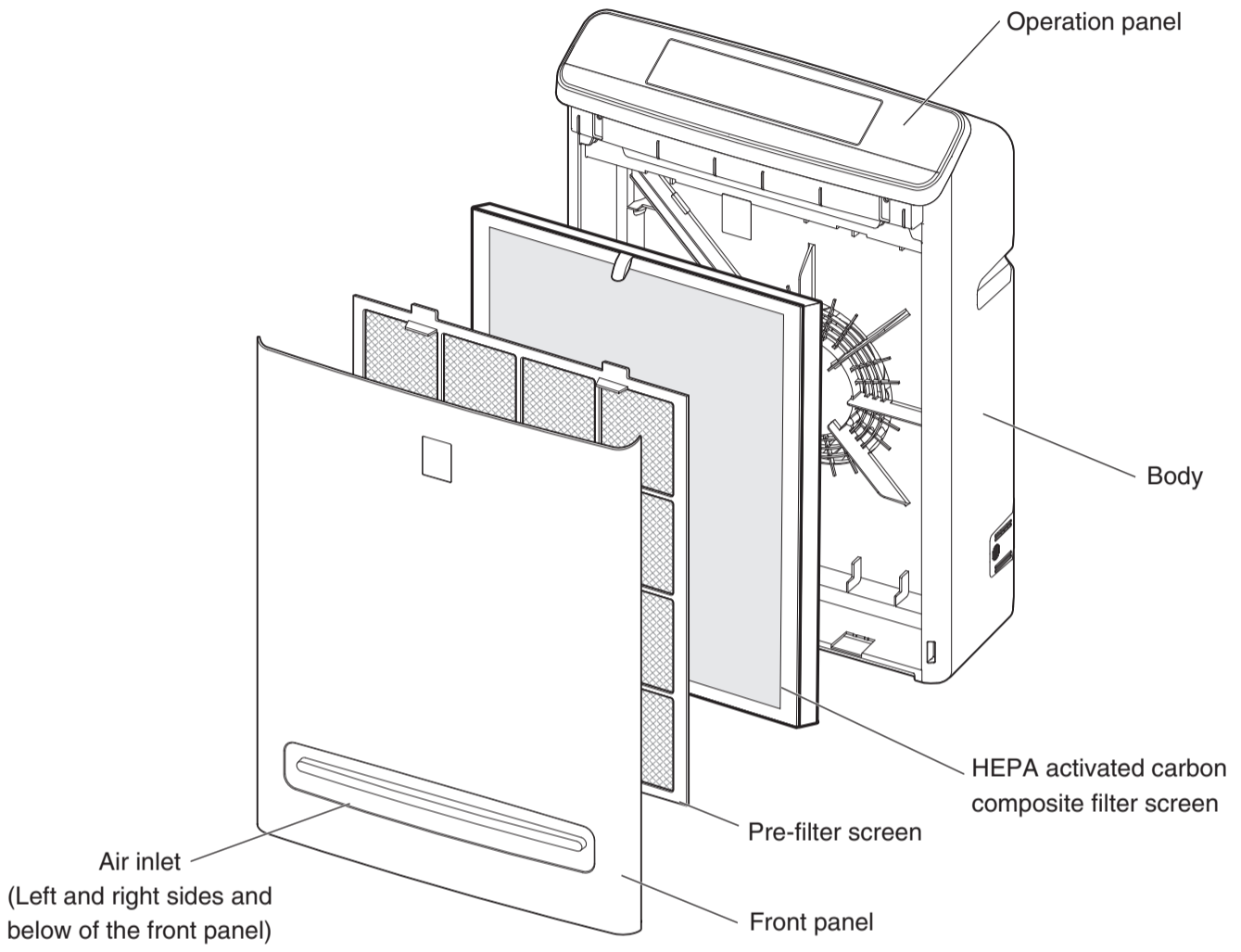
- Stains may appear on walls and the like around the air purifier. Be sure to clear them after having it in the same place for a long time.
- Do not use it in a place exposed to direct sunlight so may cause failure or discolouring.



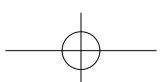
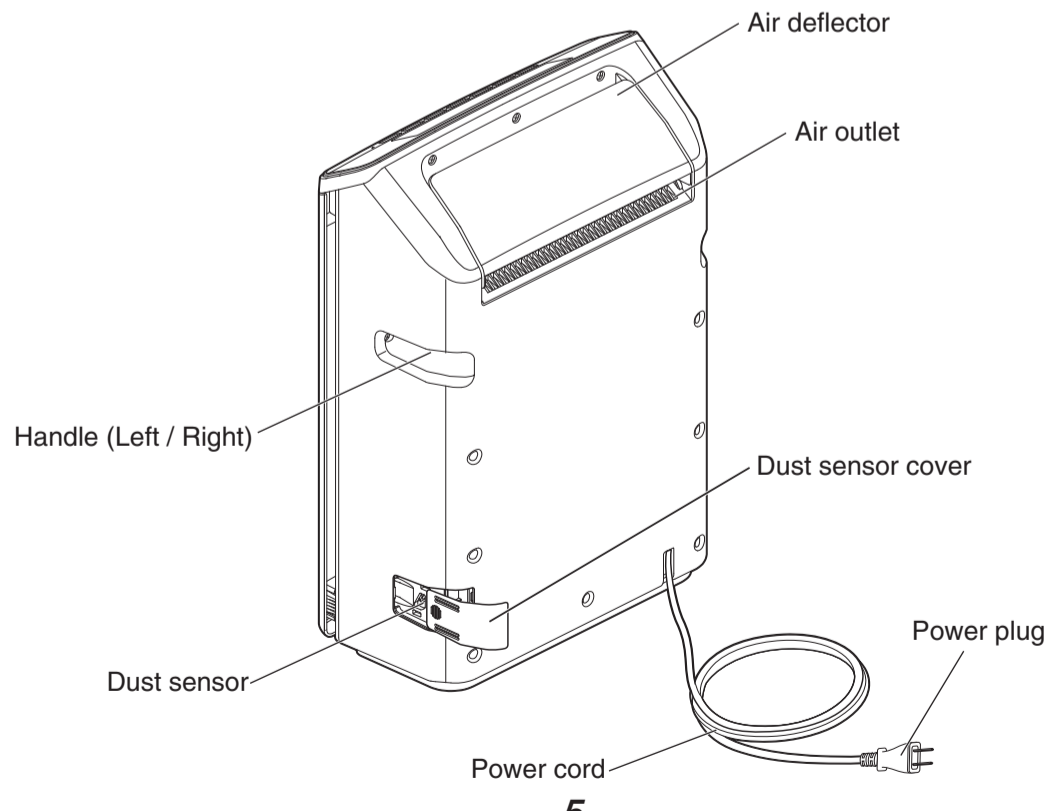


Parts

Front



Back

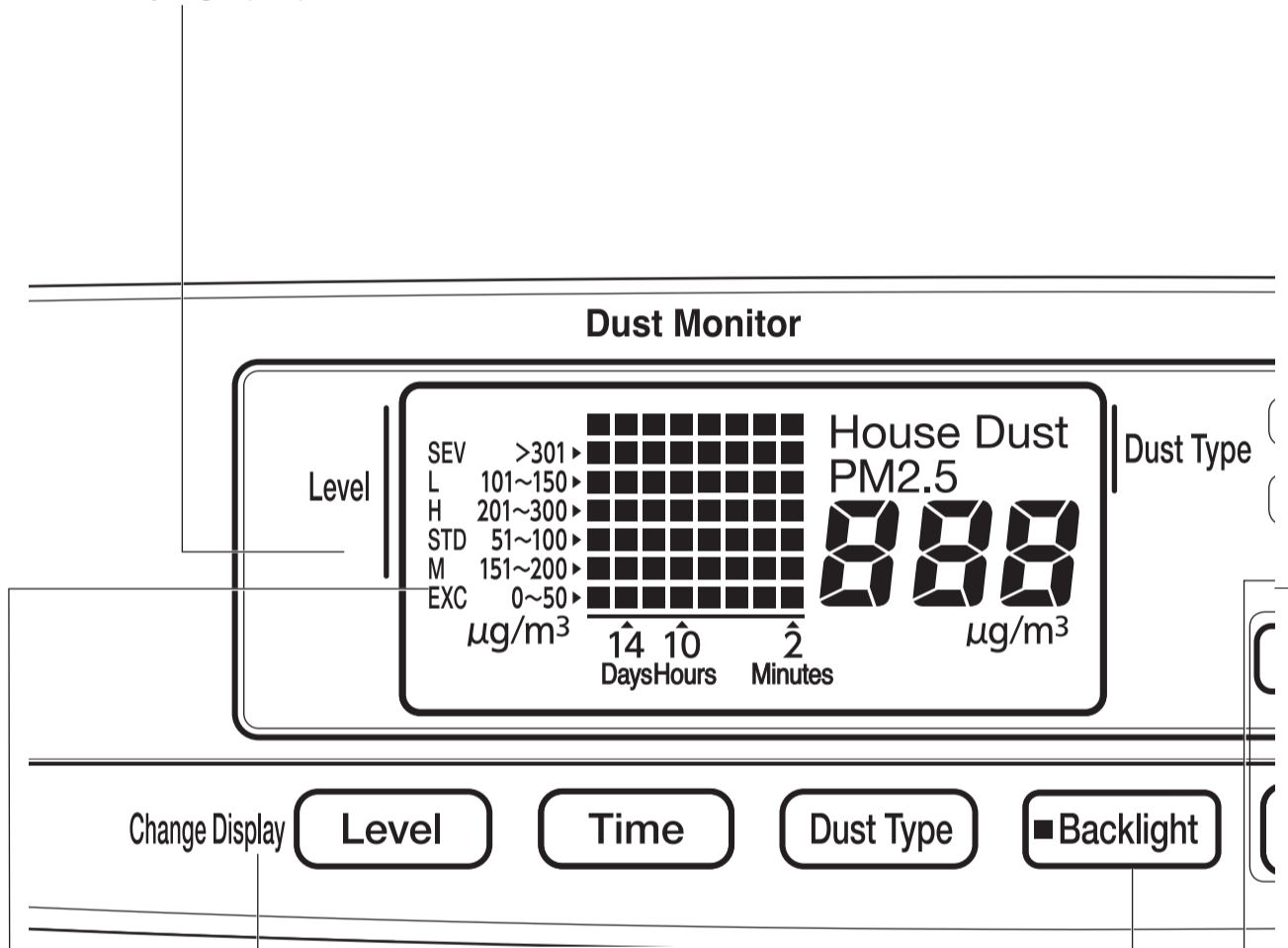


Parts Continued

Operation panel

Indoor air quality monitor

Display the PM2.5 concentration of indoor air monitored by the sensor, and graphically display the concentration changes within 14 minutes and 14 hours or 14 days ago. (P11)



- SEV — severe
- L — light
- H — high
- STD — standard
- M — moderate
- Exc — excellent

Backlight button

Press the button to turn on the backlight, and the indoor air quality monitor is constantly on. Press the button again to turn off the backlight. While pressing the button during the operation, the backlight of the indoor air quality monitor keeps on for 2 minutes. (P10)

Change display(level, time, dust type)

Switching the indoor air quality detection display (P11)

Time button

Switch the time unit on the display.

Dust type button

Switch between the House Dust and PM2.5 displays.

Clean sensor indicator light

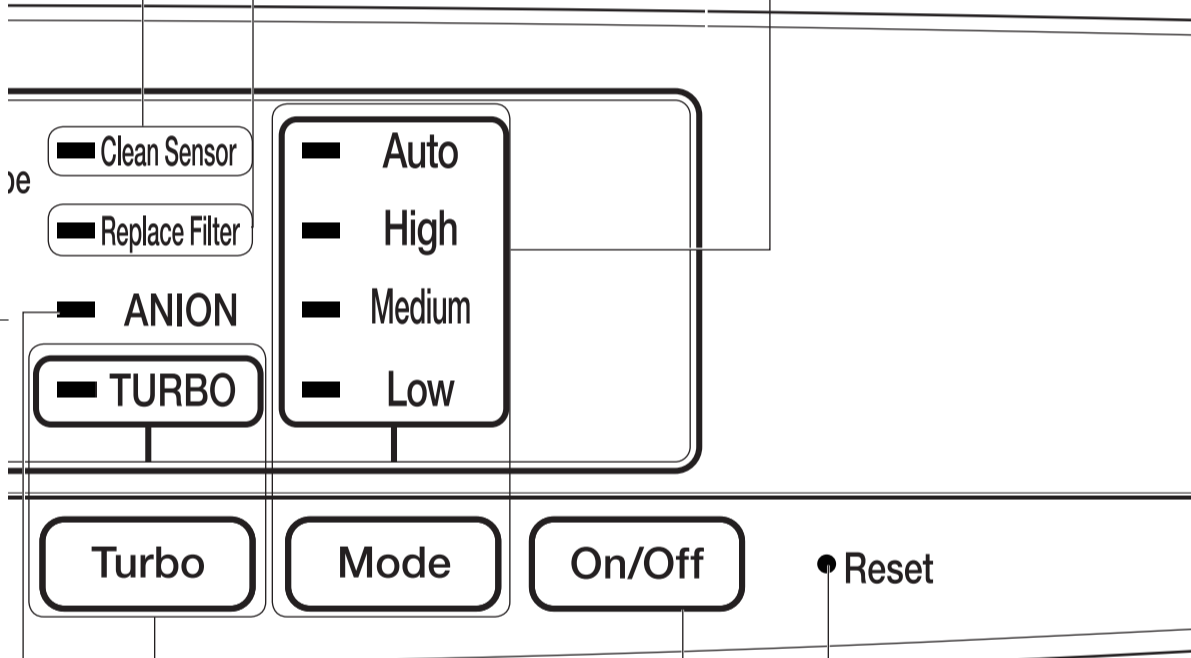
The indicator light goes on when the sensor needs to be cleaned. (P13)

Mode indicator light and button

Press the button, the running mode switches to Low → Medium → High → Auto in turn. (P9)

Replace filter light

The indicator light goes on when the filter screen needs to be replaced. (P13)



Turbo button

Press the button, the indicator light goes on. PMMS-DC200 runs for about 10 minutes. (P10)

Reset button

After replacing the filter screen and cleaning the sensor, press this button to turn off the Replace and Clean sensor indicator lights. (P13)

ANION indicator light

The ANION indicator lights up at the beginning of the operation, producing anion. (P10)

On/Off button

Press this button to turn on the power and start the Auto operation mode at low speed. Press the button again to stop running. (P10)

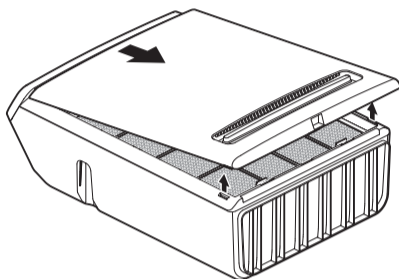
Preparations before use

Installation of filter screen

Be sure to install the filter screen before plugging the power plug into the socket.

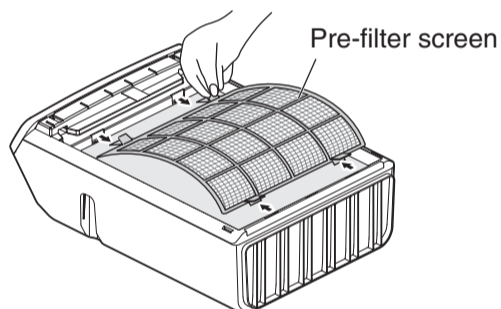
1 Tilt the body down horizontally to remove the front panel

- Lift the lower ends of the front panel to remove the front panel.

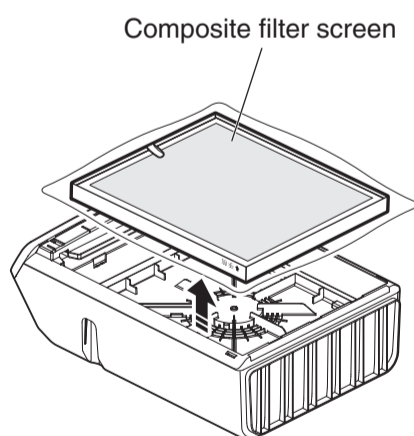


2 Remove the pre-filter screen

- Pull the upper two claws outward.
- Pull the lower two claws outward to remove the pre-filter screen.



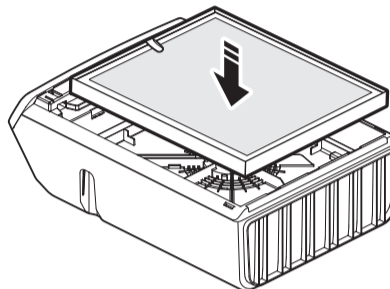
3 Take the HEPA activated carbon composite filter screen from the plastic bag



- In order to ensure the quality, the filter screen is directly installed into the body in the state of packed in a plastic bag. Be sure to take it out before use.

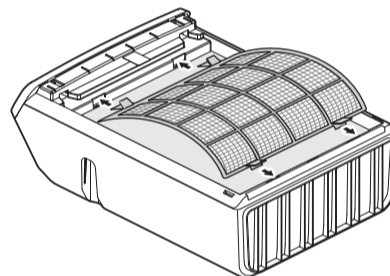
4 Install the composite filter screen

- Keep the HEPA activated carbon composite filter screen surface towards the direction of front panel during installation.
- ※ Reverse installation of the composite filter screen will reduce its performance.



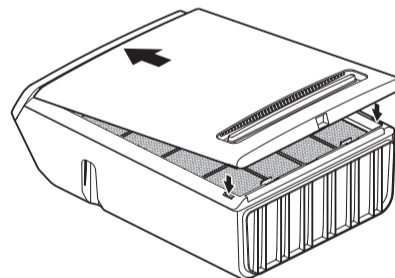
5 Install the pre-filter screen

- Embed the lower two claws into the body.
- Embed the upper two claws into the body.



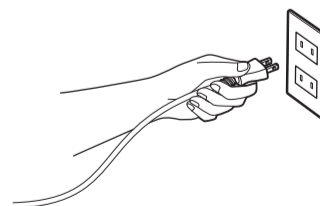
6 Install the front panel

- Engage the buckle on the front panel with the claws on the body, and embed the lower claws into the body.



Connection to the power cord

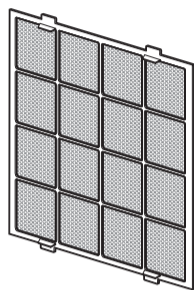
- Place the product on a stable place, hold the power plug to insert it to the socket.



Filter screen

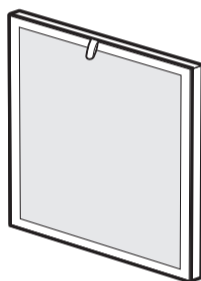
Functions of filter screen

Pre-filter screen



Pet hairs and furs dust and dirt

HEPA activated carbon composite filter screen



PM2.5
Formaldehyde

Operation instructions

1 Press the On/Off button

- Run the product in Auto mode at low speed.
- ※ You need to wait for a period of time from connection to the power to monitoring by the sensor.

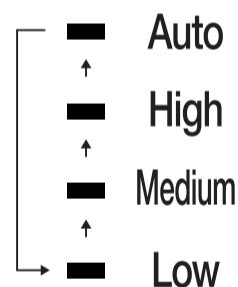
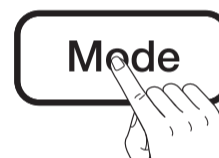


Attention

- Due to high sensitivity of the sensor, even invisible mist may cause the sensor to run when an ultrasonic humidifier or sprayer is used near the sensor.

2 Choose the running mode

- Press the Mode button to switch the mode.



<Auto>

In the Auto mode, the product automatically switches the air volume according to the concentration monitored by the sensor.

※ If the indoor air quality detector is switched to the PM2.5 display, the air volume is adjusted in response to the concentration of PM2.5; If the detector is switched to the House Dust display, the air volume is adjusted using the House Dust indicator.

<Low, Medium, High>

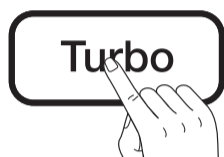
In the modes of Silent, Standard, and Fast, the product can constantly run without being affected by the sensor.

Operation instructions Continued

Turbo mode

It's a high speed running mode in a short period in case of serious indoor air pollution.

- When the turbo mode is required, press the Turbo button to light the indicator light.



- PMMS-DC200 runs for about 10 minutes in turbo mode.
- To stop the turbo mode running, press the On/Off button.
- After the turbo mode stops running, the product switches to Auto mode at low speed.

Stop running

- The product stops running and the power is cut off after pressing the On/Off button while running.



Backlight button

- Press the button to turn on the backlight, and the indoor air quality monitor is constantly on.



- Press the button again to turn off the backlight. While pressing the button during the operation, the backlight of the indoor air quality monitor keeps on for 2 minutes.

※The backlight light is off after the product stops running.

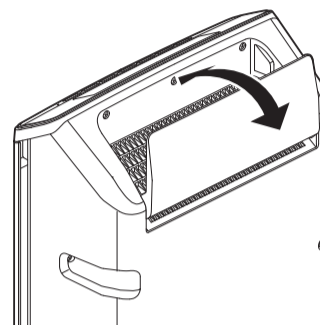
Anion

- Built-in ANION generator. Anion is generated at the start of the operation.

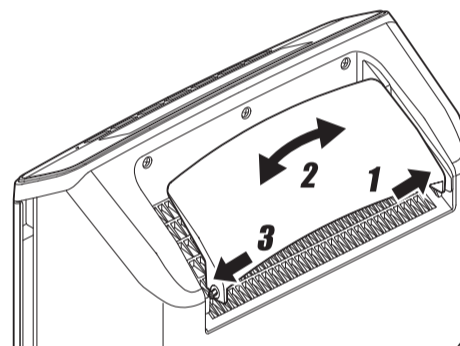
■ ANION

Air direction adjustment

Use the air deflector of the air outlet to adjust the air direction.



Do not pull the air deflector
Please install the air deflector according to the following steps after it is disengaged.

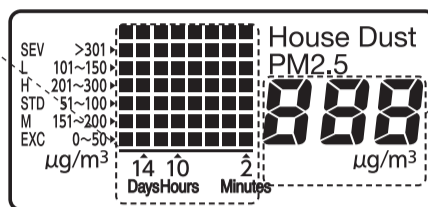


- 1.** Insert the left rotating shaft into the hole.
- 2.** Bend the air deflector.
- 3.** Insert the right rotating shaft into the hole.

Indoor air quality monitor

Display the PM2.5 concentration of the indoor air.

Display the changes in concentration within 14 minutes, within 14 hours, or 14 days ago. The new value is displayed on the right side of the graph every 2 minutes, 2 hours, or 2 days.



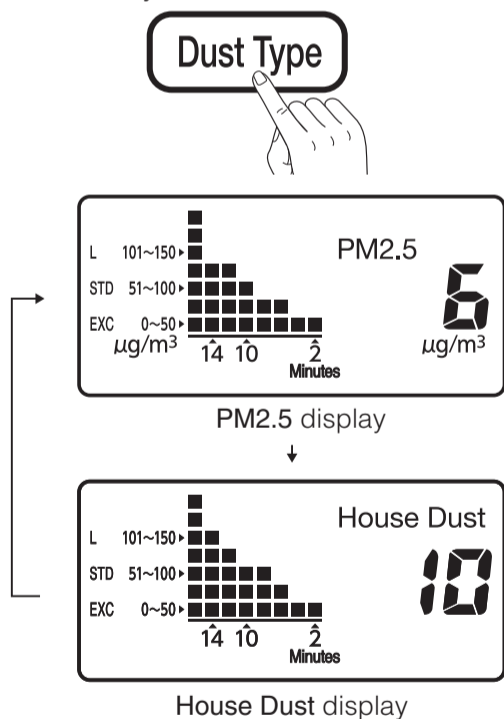
Display PM2.5 concentration. ("0" is displayed during the period from the connection to the power cord to running of sensor)

- The current concentration value and concentration change can still be displayed when the operation is stopped.
- The button can still be pressed for switching when the operation is stopped.
- After the power is cut off or the power plug is unplugged, the monitoring operation is reset; after the power-on, the monitoring operation is restarted. Press the Reset button (the Replace and Sensor and House Dust indicator lights are turned off) to monitor the reset.

※ The maximum display value of the indoor air quality monitor, PM2.5 is 500. The displayed value does not exceed the maximum value when the high-concentration cigarettes and cooking fumes are monitored.

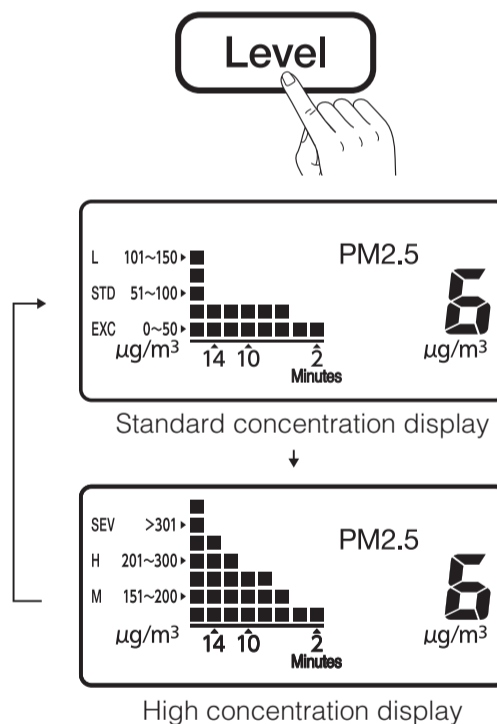
Change display

- Pressing the dust type button switches between the PM2.5 and House Dust displays.
- In automatic operation mode, PM2.5 is displayed according to the concentration of PM2.5, while House Dust Index is displayed according to the index of House Dust, and the air volume is switched automatically.



Level display

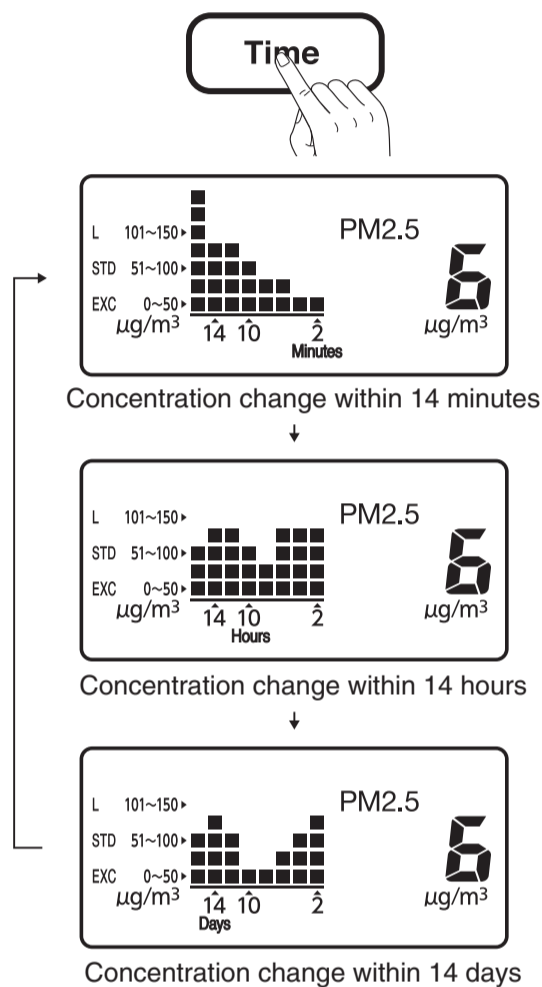
- Levels can be switched when the PM2.5 concentration is displayed.



Indoor air quality monitor Continued

Time display

- After pressing the Time button, the displayed time in the graph is switched in the following order:



Indoor air quality monitor picture light

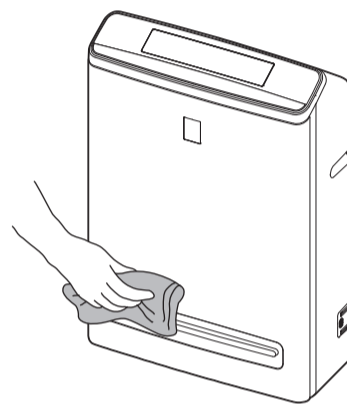
- While pressing the button during the operation, the backlight of the indoor air quality monitor keeps on for 2 minutes.
- After pressing the button, the indicator light and backlight go on. The indoor air quality monitor is always on. (P10)

Cleaning and maintenance

- Be sure to turn off the power and unplug the power plug from the electric socket before cleaning and maintaining the product.
- Do not use detergent, thinner, gasoline, and bleach, etc. for cleaning.

Body About once a month

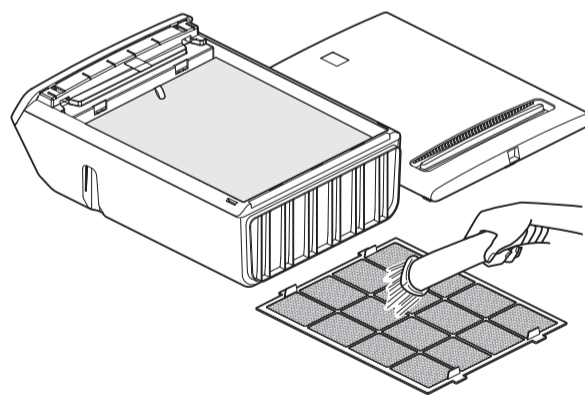
- Wring out the soft cloth soaked in water or warm water (below 40°C) to wipe the body.



- Do not pour water onto the body, otherwise it may cause electric shock, injury, or malfunction.
- Please follow the precautions when using chemical wet wipes.

Cleaning and maintenance of filter screens About once a month

- The dust accumulation on the pre-filter screen may reduce product performance. After opening the front panel and removing the pre-filter screen, be sure to clean them with a vacuum cleaner.



Attention Do not carry out maintenance for HEPA activated carbon composite filter screens.

- Do not use a vacuum cleaner to absorb dust from the HEPA activated carbon composite filter screens, and do not rinse them with water.
- Do not press or bend the filter screens hard. Otherwise the purification effect will be lost once damaged.

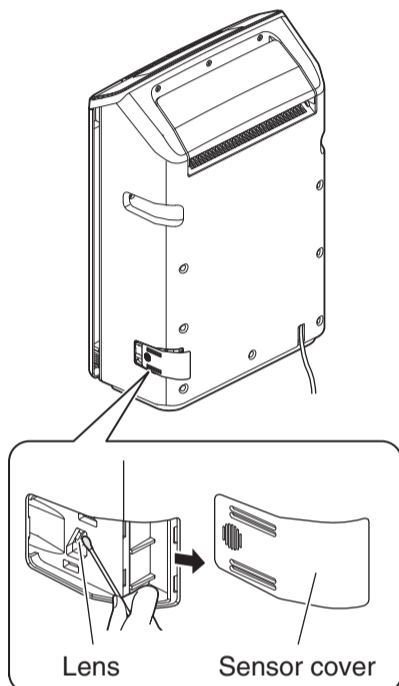
※ In case of any damage to the pre-filter screen, please consult the Iris Customer Service Center.

■ Clean sensor indicator light on

The indicator light goes on when the sensor needs to be cleaned.

■ Clean Sensor

- Remove the sensor cover on the side of the body, and wipe the lens with a dry cotton swab.



- Press the Reset button after cleaning is completed to turn off the clean sensor indicator light.

● Reset

Press the button in the reset hole on the operation panel.

- ※ The sensor works normally even after the stop of the operation. Therefore, whether the products runs or not, the indicator light will go on for reminding clean sensor after about 3 months.

■ Replace filter light

The indicator light goes on when the filter screen needs to be replaced.

■ Replace Filter

- Purchase consumable filter screens (P15) and refer to the procedures in "Preparation before use (P8)" to replace the filter screen.
- Press the reset button after the replacement is completed to turn off the Replace filter light.

● Reset

Press the button in the reset hole on the operation panel.

- ※ The filter replacement cycle is related to the running frequency and the concentration of air pollution.

● When the Clean sensor and Replace filter lights go on at the same time, pressing the Reset button, and both the indicator lights will turn off at the same time.

Troubleshooting

Please read the following content carefully before sending to repair to confirm whether it is abnormal due to the following reasons.

Common Faults	Possible Reasons	Solutions
Out of operation	<ul style="list-style-type: none"> The power plug is not plugged into the socket 	<ul style="list-style-type: none"> Insert the power plug into the socket.
Weak air volume	<ul style="list-style-type: none"> The filter screen is not taken out from the plastic packing bag 	<ul style="list-style-type: none"> Take the filter screen from the plastic packing bag for proper installation. (P8)
Big noise	<ul style="list-style-type: none"> Filter screen is not installed 	
Smell and smoke cannot be removed	<ul style="list-style-type: none"> Filter screen is not installed 	
The Replace filter light does not go on, and the smell or smoke removal effect becomes weaker	<ul style="list-style-type: none"> The product is used in an environment where air pollution is more severe than in ordinary households 	<ul style="list-style-type: none"> Replace the filter screen as soon as possible.
The product vibrates	<ul style="list-style-type: none"> The product is placed in an unstable place 	<ul style="list-style-type: none"> Place the product in a smooth place. (P4)
The displayed value of the indoor air quality monitor is always 500	<ul style="list-style-type: none"> The air pollution concentration exceeds the maximum displayed value 	<ul style="list-style-type: none"> When the high-concentration cigarettes and cooking fumes are monitored, the displayed value does not exceed the maximum displayed value of 500 for PM2.5.
The indoor air quality monitor screen does not darken	<ul style="list-style-type: none"> The backlight is always on 	<ul style="list-style-type: none"> When the backlight is off, the backlight light of the indoor air quality monitor goes on for 2 minutes while the button is pressed during operation. (P10)
Anion indicator light doesn't turn off	<ul style="list-style-type: none"> Anion generator is in an on state during operation 	<ul style="list-style-type: none"> It is not fault. (P10)

If the problem is not solved with the above measures

Please contact the store at the time of purchase or Iris Customer Service Center.



Warning

- Do not disassemble, repair or modify the product without approval.

Specifications

Model No	PMMS-DC200
Rated voltage	220V~
Rated frequency	50Hz
Rated power	27W
Product size	W400×D201×H586mm
Product weight (Approximately)	5.7kg
Power cord length (Approximately)	2.0m

※ No other notification will be delivered in condition of changes on specifications of the product.

Warranty and after-sales services

Please make sure to carefully read the following contents.

■ Purchase Receipt

Be sure to request a Purchase Receipt at the retail shop when you purchase the product.

The repair fee needs to be paid if you are unable to present a Purchase Receipt. Therefore, you must keep the Purchase Receipt securely.

■ Within the warranty period

Warranty period: Time limit specified by the warranty card (back cover).

The company will provide free repair as per the "Warranty Provisions" under abnormal operating conditions within the warranty period.

■ During the warranty period

Please check with your retail shop or the customer service center of Iris. You will have to pay for related repair expenses. It will be possible to maintain the functions of the product after repair. A certain repair cost will be charged according to customer's requirements.

■ About the remaining period of spare parts

The remaining period of the company's major spare parts is 2 years after the production stop of the product. The spare parts in operation correspond to the spare parts needed to maintain the functions of the product.

■ About after-sales service

Please check with your retail shop or the customer service center of Iris for other after-sales issues.

Consumables

■ Composite filter screen (HEPA filter screen)

PMMS-DC200

Model no : KJ-DCMF

● As to retail products, please consult the store at the time of purchase or the Iris Customer Service Center.

Air purifier PMMS-DC200**Warranty card**

The purchase receipt constitutes the certificate so that you can enjoy free repairs in accordance with the following repair provisions within the next period from the day of purchase.

Purchase date ※		Warranty period	
		1 years from the day of purchase Except for consumables	
Customer	Name:	※ Retail shop	Shop name:
	Postal code:		Address:
	Address:		
	Telephone number () -		Telephone number () -

Notice to retail shops: Please fill in the fields marked with a ※ symbol and then deliver it to your customer.

Warranty provisions

- The company will provide free repairs or replacements in conditions of malfunction or damage present under normal operating conditions as per the aspects that must be given attention according to the labels affixed on the operation manual and the product.
- Warranty repairs can only be performed by an authorised service centre. When filling a warranty claim, the original bill of purchase (with the date of purchase) must be submitted.
- The warranty contents are only limited to the free repair of the product. No other warranty service is provided even within the warranty period. The warranty only covers defects in materials or workmanship.
- If it is impossible to entrust the retail shop with the completion of the warranty card due to a relocation of the shop or because the product has been given as a present, please consult with the customer service center of Iris.
- The warranty will not apply in cases of:
 - Normal wear and tear
 - Incorrect use, e.g. overloading of the appliance, use of non-approved accessories
 - Failures and damages caused by product crashes after purchase. The use of force or damage caused by external influences
 - Failures and damages caused by fires, earthquakes or other natural disasters
 - Damage caused by non-compliance with the user manual, e.g. Connection to an inadequate power supply or non-compliance with the installation instructions
 - Failures and damages during the handling and transportation process after purchase
 - Partially or completely dismantled appliances
 - Not being able to show the purchase receipt
 - The warranty card has not been filled with the date of purchase, the customer's name, the name of the retail shop or any of the above data has been modified
- The warranty card must be the original and must be kept appropriately.

Repair memorandum

- ※ The purchase receipt constitutes the certificate corresponding to the repair and replacement conditions clearly stipulated in the user manual. However, the warranty card restricts any customer from enjoying any legal rights from the company (person responsible for the warranty) and any dealer.
Please check with your retail shop or Iris customer service center for repair-related matters after the warranty period.
- ※ Please check with the "Warranty and After-sales Service" for any repairs after the warranty period and the remaining period of spare parts.

Brand Principal : IRIS Ohyama Inc.,
 Address : 2-12-1, Itsutsubashi, Aoba-ku, Sendai-shi, Miyagi-ken, Japan
 Manufacturer : IRIS HOME PRODUCTS (GUANGZHOU)CO.,LTD
 Address : 1 DONGJI ROAD,HUANGPU DISTRICT,GUANGZHOU
 GUANGDONG P.R.CHINA